

Drum Type Diverter

DTD



DRUM TYPE DIVERTER

Our Drum Type Diverters are designed to divert or converge dry materials such as Powders, Pellets, Kibbles and Granules with minimum degradation in Pneumatic Conveying.

Our Diverters are used in Food, Chemical, Plastics, Pet Food, Pharmaceutical and other process industries.

The **DTD** is available in different sizes starting from 50 - 200 mm.

FEATURES :

- Dual channel
- Food grade Silicone / Polyurethane Seal
- ATEX rated
- Product contact surface is Stainless Steel
- Aluminium Housing, Drum & End Covers
- No external moving parts
- Pressure up to 2 bar with static seals
- Air cylinder operated
- Easy maintenance
- Minimum product degradation

DESIGN :

- Sizes from 50 mm to 200 mm
- DIN / ANSI / JIS drilling patterns
- Operating temperature 80 deg C (Max)

OPTIONS :

- Thicker Stainless Steel liner
- Wear resistant pipe liners
- High temperature construction
- Dynamic (inflatable) seals
- Polyurethane seals (only in Static seal version)

APPLICATION :

- ❖ Suitable for Powder, Granules and Pellets
- ❖ For diverting and merging of product flow in conveying line applications

PRODUCT DETAILS

Drum Type Diverter (**DTD**) is made of Aluminium LM 25 grade thro' high quality Gravity Die Casting process.

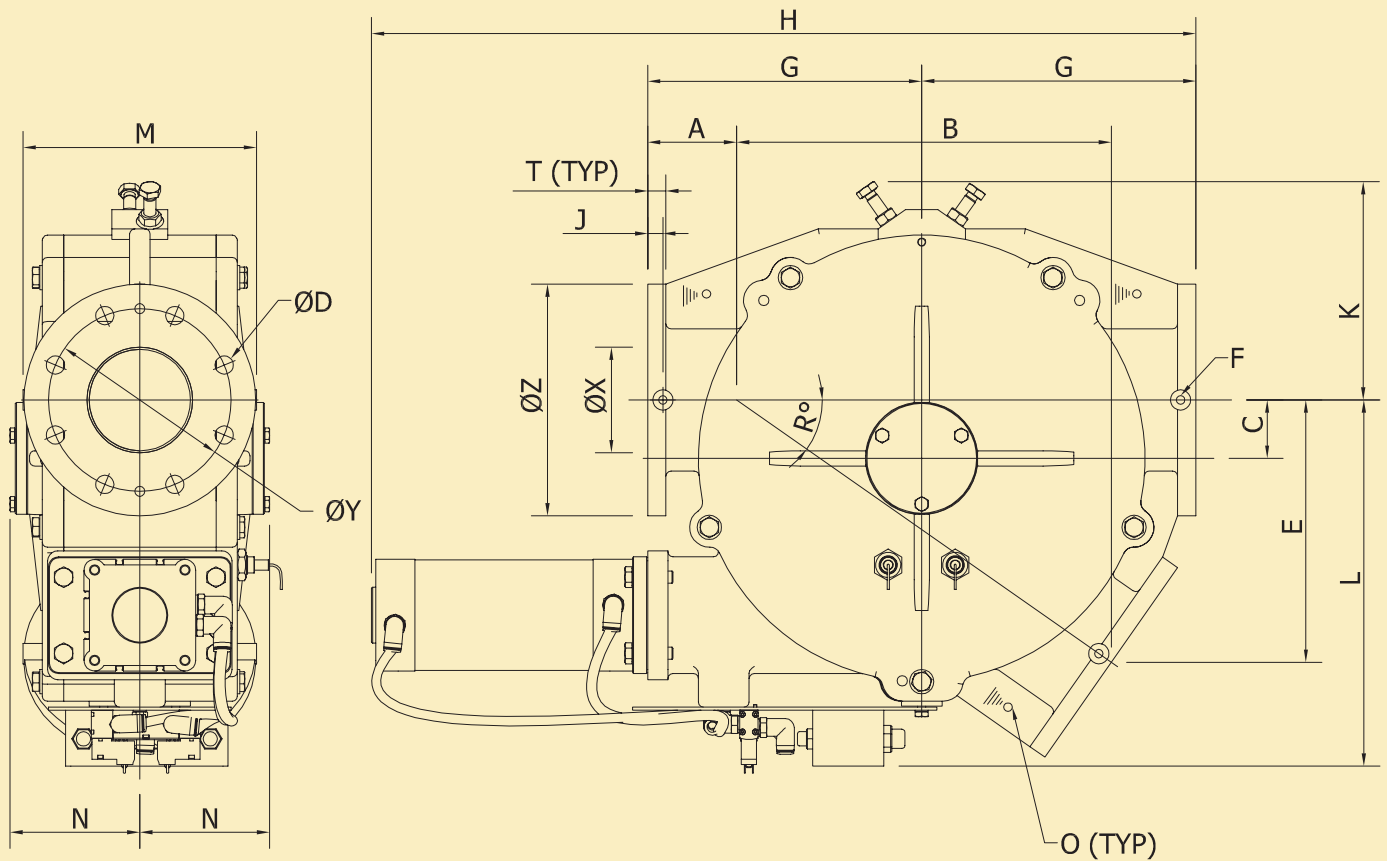
The standard seals are silicone, FDA approved which ensures the complete sealing between housing and drum.

The Diverter can be used in pressure conveying where the pressure is less than 2 bar with static seals.

The **DTD** is supplied as a complete unit with Pneumatic Actuator and associated components like Solenoid Valve, Solenoid Coils, Junction Box and Position Sensors.

Drum Type Diverter

DTD



Type DTD	DIN			ANSI #150			A	B	C	E	F	G	H	J	K	L	M	N	O	T	R°
	$\varnothing X$	$\varnothing Y$	$\varnothing D$	$\varnothing Z$	$\varnothing Y$	$\varnothing D$															
50	50	125	4x $\varnothing 18$	165	120.6	4x $\varnothing 19$	90	270	35	175	M10x20	205	620	12.5	170	270	170	110	M10	16	33.5
65	65	145	4x $\varnothing 18$	185	139.7	4x $\varnothing 19$	85	275	42.5	205	M10x20	215	680	12.5	180	290	190	115	M10	16	36.7
80	80	160	8x $\varnothing 18$	200	152.4	4x $\varnothing 19$	110	320	48.5	240	M10x20	255	770	15	195	325	205	125	M10	18	36.6
100	100	180	8x $\varnothing 18$	228	190.5	8x $\varnothing 19$	90	370	57.5	260	M10x20	270	815	15	225	360	230	130	M10	18	35
125	125	210	8x $\varnothing 18$	250	215.9	8x $\varnothing 22.2$	115	450	70	320	M12x20	335	990	17.5	265	430	255	150	M12	20	35.5
150	150	240	8x $\varnothing 22$	285	241.3	8x $\varnothing 22.2$	120	510	82.5	370	M12x20	375	1060	20	295	480	290	165	M12	20	35.8
200	200	295	8x $\varnothing 22$	343	298.4	8x $\varnothing 22.2$	135	710	115	495	M12x20	500	1295	25	380	620	350	200	M12	25	34.8

All dimensions are in mm.

Note: We reserve the right to modify the dimensions without prior notice.